

# Test 5 Answers

## Practice question

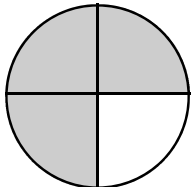
10

## Five-second questions

1 12

2 12

3 730

4  $\frac{3}{4}$  

5 5

6 50

7 250 g  $\frac{1}{4}$  kg

8 60p 40p

9  $\frac{2}{3}$

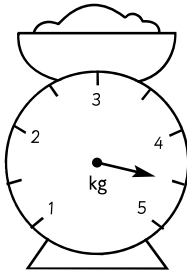
10 5

## Ten-second questions

11 665 265

12 18 cm

13 46 22 23 24 25

14  $4\frac{1}{2}$  kg 

15 August

16 38

17 £1.75 £3.25

18 36

19 120 30 40 50

20 90p