

Questions for Test 5

For each of the first ten questions you have five seconds to work out and write down the answer.

- 1 What is nine add three?
- 2 What is the product of four and three?
- 3 Multiply seventy-three by ten.
- 4 Look at your answer sheet. What fraction of the circle is shaded?
- 5 How many vertices does a pentagon have?
- 6 Ninety take away forty.
- 7 How many grams are there in one quarter of a kilogram?
- 8 I have one pound and I spend forty pence. How much have I got left?
- 9 Write the fraction two thirds.
- 10 What is twenty divided by four?

For each of the next questions you have ten seconds to work out and write down the answer.

- 11 Add four hundred to two hundred and sixty-five.
- 12 What is the perimeter of an equilateral triangle with sides of six centimetres?
- 13 Look at your answer sheet. Calculate the total of the two even numbers.
- 14 Look at your answer sheet. What weight is shown on the scales?
- 15 What is the eighth month of the year?
- 16 What is double nineteen?
- 17 I buy a box of chocolates for three pounds twenty-five pence. What change do I have from five pounds?
- 18 What is forty-three minus seven?
- 19 What is the total of thirty, forty and fifty?
- 20 I have some coins in my pocket: a fifty pence, a twenty pence and two ten pence coins. How much have I got altogether?

Put your pencil down. The test is over.

Test 5

First name _____ Last name _____

School _____

Total marks

Practice question

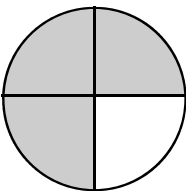
Five-second questions

1

2

3

4



5

6

7 g $\frac{1}{4}$ kg

8 p 40p

9

10

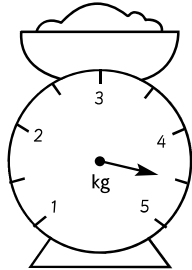
Ten-second questions

11 265

12 cm

13 22 23 24 25

14 kg



15

16

17 £ £3.25

18

19 30 40 50

20 p