



Missing Number Vault

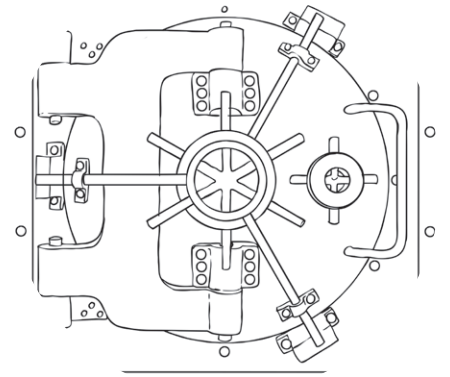
I can find missing numbers using the inverse.



Secret Agent 1Q, you need to work out the code to access the vault and gather the secret document before anyone else does!

To gain a digit of the code, you must answer the four missing number sentences and then use the missing numbers to answer the corresponding question. Once all the corresponding questions have been answered, you will have the three-digit code to unlock the vault.

Vault Code:



$$1949 + \underline{\hspace{2cm}} + 3952 = 15\,226$$

$$\underline{\hspace{2cm}} \div 23 = 875$$

$$75 \times \underline{\hspace{2cm}} = 4050$$

$$68\,431 - \underline{\hspace{2cm}} = 40\,786$$

Vault Question:

Add the missing numbers.

What is the digit in the ten thousands place?

$$\underline{\hspace{2cm}} \times 25 = 6875$$

$$7704 \div \underline{\hspace{2cm}} = 1284$$

$$\underline{\hspace{2cm}} - 36\,664 = 28\,977$$

$$2900 \div \underline{\hspace{2cm}} = 145$$

Vault Question:

Which missing number is a multiple of three?

$$970\,254 + \underline{\hspace{2cm}} = 1\,504\,812$$

$$\underline{\hspace{2cm}} - 684\,325 = 272\,230$$

$$120\,675 \div \underline{\hspace{2cm}} = 4827$$

$$1548 \times \underline{\hspace{2cm}} = 13\,932$$

Vault Question:

Which missing number is less than 24?





Missing Number Vault Answers

Question	Answer
	To gain a digit of the code, you must answer the four missing number sentences and then use the missing numbers to answer the corresponding question. Once all the corresponding questions have been answered, you will have the three-digit code to unlock the vault.
Vault Code: 569	
$1949 + \mathbf{9325} + 3952 = 15\ 226$ $\mathbf{20\ 125} \div 23 = 875$ $75 \times \mathbf{54} = 4050$ $68\ 431 - \mathbf{27\ 645} = 40\ 786$	Vault Question Add the missing numbers. What is the digit in the ten thousands place? 5 (57 149)
$\mathbf{275} \times 25 = 6875$ $7704 \div \mathbf{6} = 1284$ $\mathbf{65\ 641} - 36\ 664 = 28\ 977$ $2900 \div \mathbf{20} = 145$	Vault Question Which missing number is a multiple of three? 6
$970\ 254 + \mathbf{534\ 558} = 1\ 504\ 812$ $\mathbf{956\ 555} - 684\ 325 = 272\ 230$ $120\ 675 \div \mathbf{25} = 4827$ $1548 \times \mathbf{9} = 13\ 932$	Vault Question Which missing number is less than 24? 9



Missing Number Vault

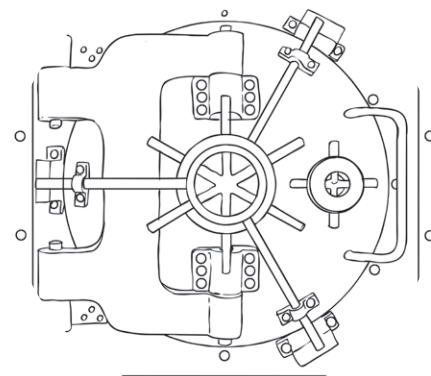
I can find missing numbers using the inverse.



Secret Agent 1Q, you need to work out the code to access the vault and gather the secret document before anyone else does!

To gain a digit of the code, you must answer the four missing number sentences and then use the missing numbers to answer the corresponding question. Once all the corresponding questions have been answered, you will have the four-digit code to unlock the vault.

Vault Code:



$$\underline{\hspace{2cm}} + 4567.4 + 568.97 = 7700.91$$

$$\underline{\hspace{2cm}} \div 28 = 75.8$$

$$6552 \times \underline{\hspace{2cm}} = 42\,588$$

$$61\,493.97 - \underline{\hspace{2cm}} = 13\,559.48$$

Vault Question:

Add the missing numbers. What is the digit in the hundredths place?

$$\underline{\hspace{2cm}} \times 10.5 = 131.25$$

$$1120.5 \div \underline{\hspace{2cm}} = 124.5$$

$$\underline{\hspace{2cm}} - 95\,674.35 = 50\,891.15$$

$$2900 \div \underline{\hspace{2cm}} = 145$$

Vault Question:

Which missing number's digits add to make 14?

$$564.405 + \underline{\hspace{2cm}} = 598.872$$

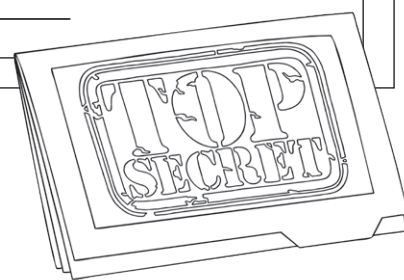
$$\underline{\hspace{2cm}} - 97\,345.154 = 97\,031.446$$

$$394.85 \div \underline{\hspace{2cm}} = 78.97$$

$$149.98 \times \underline{\hspace{2cm}} = 2249.7$$

Vault Question:

Which missing number has one odd digit?





Missing Number Vault Answers

Question	Answer
	To gain a digit of the code, you must answer the four missing number sentences and then use the missing numbers to answer the corresponding question. Once all the corresponding questions have been answered, you will have the four-digit code to unlock the vault.
Vault Code: 3595	
$2564.54 + 4567.4 + 568.97 = 7700.91$ $2122.4 \div 28 = 75.8$ $6552 \times 6.5 = 42\,588$ $61\,493.97 - 47\,934.49 = 13\,559.48$	Vault Question Add the missing numbers. What is the digit in the hundredths place? 3 (52 627.93)
$12.5 \times 10.5 = 131.25$ $1120.5 \div 9 = 124.5$ $146\,565.5 - 95\,674.35 = 50\,891.15$ $478 \times 5.9 = 2820.2$	Vault Question Which missing number's digits add to make 14? 5.9
$564.405 + 34.467 = 598.872$ $194\,376.6 - 97\,345.154 = 97\,031.446$ $394.85 \div 5 = 78.97$ $149.98 \times 15 = 2249.7$	Vault Question Which missing number has one odd digit? 5



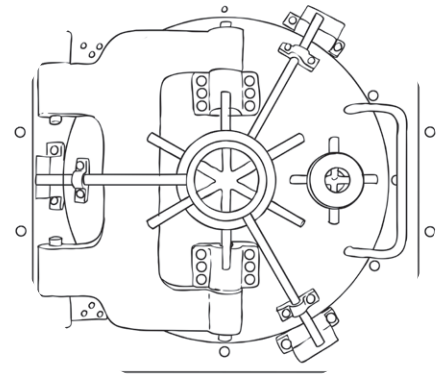
Missing Number Vault

I can find missing numbers using the inverse.



Secret Agent 1Q, you need to work out the code to access the vault and gather the secret document before anyone else does!

To gain a digit of the code, you must answer the four missing number sentences and then use the missing numbers to answer the corresponding question. Once all the corresponding questions have been answered, you will have the three-digit code to unlock the vault.



Vault Code: ○ ○ ○

$$72__.7 + __25.__4 + 6__5.8__ = 2300.11$$

$$13\ 543 \div 2__ = 467$$

$$__46.54 \times 8.5 = 4645.59$$

$$176__.54 - 7__4.9__5 = 1013.565$$

Vault Question:
Add the missing digits. What is the digit in the tens place?

$$47.__ \times 1__.5 = 926.25$$

$$11\ 844 \div 1__ = 658$$

$$__47.__ - 9__.468 = 55.332$$

$$____4 \times 4.8 = 2227.2$$

Vault Question:
Add the missing digits. What digit is in the ones place?

$$5__4.__4 + __57.__43 = 942.38__$$

$$5__.__64 - __8.48 = 26.084$$

$$1721.09 \div __ = 245.87$$

$$278.87 \times 1__ = 4183.05$$

Vault Question:
Add the missing digits. What is the digit in the tens place?





Missing Number Vault Answers

Question	Answer
	To gain a digit of the code, you must answer the four missing number sentences and then use the missing numbers to answer the corresponding question. Once all the corresponding questions have been answered, you will have the three-digit code to unlock the vault.
Vault Code: 635	
$72\mathbf{8}.7 + 925.\mathbf{5}4 + 645.87 = 2300.11$ $13\ 543 \div 2\mathbf{9} = 467$ $546.54 \times 8.5 = 4645.59$ $176\mathbf{8}.54 - 754.975 = 1013.565$	Vault Question Add the missing digits. What is the digit in the tens place? 6 (67)
$47.\mathbf{5} \times 19.5 = 926.25$ $11\ 844 \div 1\mathbf{8} = 658$ $147.\mathbf{8} - 92.468 = 55.332$ $4\mathbf{6}4 \times 4.8 = 2227.2$	Vault Question Add the missing digits. What digit is in the ones place? 3 (43)
$5\mathbf{8}4.54 + 357.\mathbf{8}43 = 942.383$ $54.564 - 28.48 = 26.084$ $1721.09 \div \mathbf{7} = 245.87$ $278.87 \times 1\mathbf{5} = 4183.05$	Vault Question Add the missing digits. What is the digit in the tens place? 5 (50)